

SNLSplit plummer block housings

Designation	Shaft diameter	Appropriate bearing	Principal housing dimensions			
			A	H	H1	L
	da		mm			
	mm		mm			
SNL506-605	19.05	2305 K	77	89	50	185
SNL506-605	19.05	1305 K	77	89	50	185
SNL505	19.05	2205 K	67	74	40	165
SNL505	19.05	1205 K	67	74	40	165
SNL505	19.05	22205 K	67	74	40	165
SNL505	20	1205 K	67	74	40	165
SNL505	20	2205 K	67	74	40	165
SNL505	20	22205 K	67	74	40	165
SNL506-605	20	2305 K	77	89	50	185
SNL506-605	20	1305 K	77	89	50	185
SNL506-605	23.813	2206 K	77	89	50	185
SE 507-606	23.813	2306 K	83	94	50	185
SNL506-605	23.813	1206 K	77	89	50	185
SNL506-605	23.813	C 2206 K	77	89	50	185
SE 507-606	23.813	1306 K	83	94	50	185
SE 507-606	23.813	21306 K	83	94	50	185
SNL506-605	23.813	22206 K	77	89	50	185
SE 507-606	25	1306 K	83	94	50	185
SNL506-605	25	2206 K	77	89	50	185
SNL506-605	25	C 2206 K	77	89	50	185
SNL506-605	25	22206 K	77	89	50	185
SNL506-605	25	1206 K	77	89	50	185
SE 507-606	25	21306 K	83	94	50	185
SE 507-606	25	2306 K	83	94	50	185
SE 507-606	25.4	1306 K	83	94	50	185
SNL506-605	25.4	C 2206 K	77	89	50	185
SE 507-606	25.4	21306 K	83	94	50	185

SNL506-605	25.4	22206 K	77	89	50	185
SNL506-605	25.4	2206 K	77	89	50	185
SNL506-605	25.4	1206 K	77	89	50	185
SE 507-606	25.4	2306 K	83	94	50	185
SE 508-607	28.575	1307 K	85	108	60	205
SE 507-606	28.575	2207 K	83	94	50	185
SE 507-606	28.575	22207 K	83	94	50	185
SE 507-606	28.575	1207 K	83	94	50	185
SE 507-606	28.575	C 2207 K	83	94	50	185
SE 508-607	30	2307 K	85	108	60	205
SE 507-606	30	1207 K	83	94	50	185
SE 508-607	30	1307 K	85	108	60	205
SE 507-606	30	2207 K	83	94	50	185
SE 508-607	30	21307 K	85	108	60	205
SE 507-606	30	22207 K	83	94	50	185
SE 507-606	30	C 2207 K	83	94	50	185
SE 507-606	30.163	2207 K	83	94	50	185
SE 508-607	30.163	21307 K	85	108	60	205
SE 507-606	30.163	1207 K	83	94	50	185
SE 507-606	30.163	22207 K	83	94	50	185
SE 507-606	30.163	C 2207 K	83	94	50	185
SE 508-607	30.163	2307 K	85	108	60	205
SE 508-607	30.163	1307 K	85	108	60	205
SE 508-607	31.75	22208 K	85	108	60	205
SE 510-608	31.75	21308 K	90	114	60	205
SE 510-608	31.75	1308 K	90	114	60	205
SE 510-608	31.75	22308 K	90	114	60	205
SE 510-608	31.75	2308 K	90	114	60	205
SE 508-607	31.75	C 2208 K	85	108	60	205
SE 508-607	31.75	1208 K	85	108	60	205
SE 508-607	31.75	2208 K	85	108	60	205
SE 508-607	34.925	C 2208 K	85	108	60	205
SE 510-608	34.925	1308 K	90	114	60	205
SE 510-608	34.925	21308 K	90	114	60	205
SE 508-607	34.925	2208 K	85	108	60	205
SE 508-607	34.925	1208 K	85	108	60	205
SE 508-607	34.925	22208 K	85	108	60	205
SE 510-608	35	2308 K	90	114	60	205
SE 508-607	35	22208 K	85	108	60	205
SE 508-607	35	2208 K	85	108	60	205
SE 508-607	35	C 2208 K	85	108	60	205
SE 508-607	35	1208 K	85	108	60	205
SE 510-608	35	1308 K	90	114	60	205

SE 510-608	35	21308 K	90	114	60	205
SE 510-608	35	22308 K	90	114	60	205
SE 509	36.513	C 2209 K	85	109	60	205
SNL511-609	36.513	21309 K	95	127	70	255
SNL511-609	36.513	1309 K	95	127	70	255
SNL511-609	36.513	22309 K	95	127	70	255
FSNL511-609	36.513	21309 K	95	127	70	255
FSNL511-609	36.513	2309 K	95	127	70	255
FSNL511-609	36.513	1309 K	95	127	70	255
SNL511-609	36.513	2309 K	95	127	70	255
FSNL511-609	36.513	22309 K	95	127	70	255
SE 509	36.513	1209 K	85	109	60	205
SE 509	36.513	2209 K	85	109	60	205
SE 509	36.513	22209 K	85	109	60	205
FSNL511-609	38.1	2309 K	95	127	70	255
SNL511-609	38.1	22309 K	95	127	70	255
FSNL511-609	38.1	21309 K	95	127	70	255
SE 509	38.1	1209 K	85	109	60	205
SE 509	38.1	2209 K	85	109	60	205
SE 509	38.1	22209 K	85	109	60	205
SE 509	38.1	C 2209 K	85	109	60	205
SNL511-609	38.1	2309 K	95	127	70	255
FSNL511-609	38.1	1309 K	95	127	70	255
FSNL511-609	38.1	22309 K	95	127	70	255
SNL511-609	38.1	1309 K	95	127	70	255
SNL511-609	38.1	21309 K	95	127	70	255
FSNL511-609	40	22309 K	95	127	70	255
FSNL511-609	40	2309 K	95	127	70	255
SNL511-609	40	1309 K	95	127	70	255
SE 509	40	22209 K	85	109	60	205
FSNL511-609	40	1309 K	95	127	70	255
SNL511-609	40	21309 K	95	127	70	255
SNL511-609	40	22309 K	95	127	70	255
SE 509	40	2209 K	85	109	60	205
FSNL511-609	40	21309 K	95	127	70	255
SE 509	40	1209 K	85	109	60	205
SNL511-609	40	2309 K	95	127	70	255
SE 509	40	C 2209 K	85	109	60	205
SE 510-608	42.862	C 2210 K	90	114	60	205
FSNL512-610	42.862	22310 K	105	134	70	255
FSNL512-610	42.862	21310 K	105	134	70	255
SNL512-610	42.862	2310 K	105	134	70	255
FSNL512-610	42.862	1310 K	105	134	70	255

SNL512-610	42.862	1310 K	105	134	70	255
SNL512-610	42.862	22310 K	105	134	70	255
SNL512-610	42.862	21310 K	105	134	70	255
FSNL512-610	42.862	2310 K	105	134	70	255
SE 510-608	42.862	22210 K	90	114	60	205
SE 510-608	42.862	1210 K	90	114	60	205
SE 510-608	42.862	2210 K	90	114	60	205
SE 510-608	44.45	1210 K	90	114	60	205
SE 510-608	44.45	2210 K	90	114	60	205
SNL512-610	44.45	21310 K	105	134	70	255
SE 510-608	44.45	22210 K	90	114	60	205
SE 510-608	44.45	C 2210 K	90	114	60	205
FSNL512-610	44.45	2310 K	105	134	70	255
SNL512-610	44.45	22310 K	105	134	70	255
SNL512-610	44.45	2310 K	105	134	70	255
FSNL512-610	44.45	21310 K	105	134	70	255
SNL512-610	44.45	1310 K	105	134	70	255
FSNL512-610	44.45	1310 K	105	134	70	255
FSNL512-610	44.45	22310 K	105	134	70	255
FSNL512-610	45	1310 K	105	134	70	255
FSNL512-610	45	22310 K	105	134	70	255
SNL512-610	45	1310 K	105	134	70	255
SE 510-608	45	2210 K	90	114	60	205
SNL512-610	45	2310 K	105	134	70	255
FSNL512-610	45	21310 K	105	134	70	255
SE 510-608	45	1210 K	90	114	60	205
SE 510-608	45	22210 K	90	114	60	205
SNL512-610	45	22310 K	105	134	70	255
SNL512-610	45	21310 K	105	134	70	255
FSNL512-610	45	2310 K	105	134	70	255
SE 510-608	45	C 2210 K	90	114	60	205
FSNL511-609	49.212	C 2211 K	95	127	70	255
SNL513-611	49.212	21311 K	110	149	80	275
SNL511-609	49.212	22211 K	95	127	70	255
FSNL511-609	49.212	1211 K	95	127	70	255
FSNL513-611	49.212	2311 K	110	149	80	275
SNL511-609	49.212	C 2211 K	95	127	70	255
FSNL513-611	49.212	1311 K	110	149	80	275
SNL513-611	49.212	1311 K	110	149	80	275
FSNL513-611	49.212	21311 K	110	149	80	275
FSNL511-609	49.212	2211 K	95	127	70	255
SNL513-611	49.212	22311 K	110	149	80	275
SNL511-609	49.212	2211 K	95	127	70	255

SNL511-609	49.212	1211 K	95	127	70	255
FSNL513-611	49.212	22311 K	110	149	80	275
FSNL511-609	49.212	22211 K	95	127	70	255
SNL513-611	49.212	2311 K	110	149	80	275
SNL511-609	50	2211 K	95	127	70	255
FSNL511-609	50	1211 K	95	127	70	255
SNL511-609	50	C 2211 K	95	127	70	255
SNL513-611	50	1311 K	110	149	80	275
SNL513-611	50	2311 K	110	149	80	275
FSNL511-609	50	C 2211 K	95	127	70	255
FSNL511-609	50	22211 K	95	127	70	255
SNL511-609	50	1211 K	95	127	70	255
FSNL513-611	50	1311 K	110	149	80	275
FSNL513-611	50	2311 K	110	149	80	275
SNL513-611	50	22311 K	110	149	80	275
SNL511-609	50	22211 K	95	127	70	255
FSNL513-611	50	22311 K	110	149	80	275
FSNL513-611	50	21311 K	110	149	80	275
SNL513-611	50	21311 K	110	149	80	275
FSNL511-609	50	2211 K	95	127	70	255
FSNL511-609	50.8	1211 K	95	127	70	255
FSNL513-611	50.8	21311 K	110	149	80	275
FSNL511-609	50.8	22211 K	95	127	70	255
SNL513-611	50.8	1311 K	110	149	80	275
FSNL513-611	50.8	22311 K	110	149	80	275
SNL511-609	50.8	C 2211 K	95	127	70	255
SNL511-609	50.8	2211 K	95	127	70	255
FSNL511-609	50.8	2211 K	95	127	70	255
SNL511-609	50.8	1211 K	95	127	70	255
FSNL513-611	50.8	1311 K	110	149	80	275
SNL513-611	50.8	2311 K	110	149	80	275
FSNL513-611	50.8	2311 K	110	149	80	275
SNL513-611	50.8	21311 K	110	149	80	275
SNL511-609	50.8	22211 K	95	127	70	255
SNL513-611	50.8	22311 K	110	149	80	275
FSNL511-609	50.8	C 2211 K	95	127	70	255
FSNL515-612	53.975	22312 K	115	155	80	280
SNL515-612	53.975	2312 K	115	155	80	280
SNL515-612	53.975	21312 K	115	155	80	280
SNL515-612	53.975	1312 K	115	155	80	280
FSNL512-610	53.975	C 2212 K	105	134	70	255
SNL512-610	53.975	22212 K	105	134	70	255
SNL512-610	53.975	C 2212 K	105	134	70	255

SNL515-612	53.975	22312 K	115	155	80	280
FSNL512-610	53.975	2212 K	105	134	70	255
FSNL515-612	53.975	1312 K	115	155	80	280
FSNL512-610	53.975	1212 K	105	134	70	255
SNL512-610	53.975	1212 K	105	134	70	255
SNL512-610	53.975	2212 K	105	134	70	255
FSNL515-612	53.975	2312 K	115	155	80	280
FSNL512-610	53.975	22212 K	105	134	70	255
FSNL515-612	53.975	21312 K	115	155	80	280
FSNL512-610	55	1212 K	105	134	70	255
FSNL512-610	55	22212 K	105	134	70	255
SNL512-610	55	2212 K	105	134	70	255
SNL515-612	55	1312 K	115	155	80	280
FSNL515-612	55	1312 K	115	155	80	280
SNL512-610	55	1212 K	105	134	70	255
SNL515-612	55	21312 K	115	155	80	280
SNL515-612	55	2312 K	115	155	80	280
FSNL515-612	55	2312 K	115	155	80	280
FSNL515-612	55	21312 K	115	155	80	280
FSNL512-610	55	C 2212 K	105	134	70	255
FSNL515-612	55	22312 K	115	155	80	280
SNL512-610	55	22212 K	105	134	70	255
SNL512-610	55	C 2212 K	105	134	70	255
SNL515-612	55	22312 K	115	155	80	280
FSNL512-610	55	2212 K	105	134	70	255
SNL513-611	55.563	22213 K	110	149	80	275
FSNL513-611	55.563	1213 K	110	149	80	275
SNL516-613	55.563	22313 K	120	177	95	315
FSNL513-611	55.563	C 2213 K	110	149	80	275
FSNL516-613	55.563	22313 K	120	177	95	315
SNL516-613	55.563	2313 K	120	177	95	315
FSNL516-613	55.563	21313 K	120	177	95	315
FSNL513-611	55.563	22213 K	110	149	80	275
SNL516-613	55.563	21313 K	120	177	95	315
FSNL516-613	55.563	1313 K	120	177	95	315
FSNL516-613	55.563	2313 K	120	177	95	315
FSNL513-611	55.563	2213 K	110	149	80	275
SNL516-613	55.563	1313 K	120	177	95	315
SNL513-611	55.563	C 2213 K	110	149	80	275
SNL513-611	55.563	1213 K	110	149	80	275
SNL513-611	55.563	2213 K	110	149	80	275
SNL513-611	57.15	1213 K	110	149	80	275
FSNL513-611	57.15	22213 K	110	149	80	275

SNL513-611	57.15	C 2213 K	110	149	80	275
SNL516-613	57.15	21313 K	120	177	95	315
SNL516-613	57.15	22313 K	120	177	95	315
SNL516-613	57.15	1313 K	120	177	95	315
FSNL516-613	57.15	2313 K	120	177	95	315
FSNL516-613	57.15	22313 K	120	177	95	315
SNL513-611	57.15	2213 K	110	149	80	275
SNL513-611	57.15	22213 K	110	149	80	275
FSNL513-611	57.15	2213 K	110	149	80	275
FSNL513-611	57.15	1213 K	110	149	80	275
FSNL516-613	57.15	1313 K	120	177	95	315
SNL516-613	57.15	2313 K	120	177	95	315
FSNL516-613	57.15	21313 K	120	177	95	315
FSNL513-611	57.15	C 2213 K	110	149	80	275
SNL513-611	60	C 2213 K	110	149	80	275
SNL513-611	60	1213 K	110	149	80	275
FSNL513-611	60	22213 K	110	149	80	275
SNL516-613	60	1313 K	120	177	95	315
FSNL516-613	60	2313 K	120	177	95	315
SNL513-611	60	22213 K	110	149	80	275
FSNL516-613	60	1313 K	120	177	95	315
SNL516-613	60	22313 K	120	177	95	315
SNL516-613	60	2313 K	120	177	95	315
FSNL516-613	60	21313 K	120	177	95	315
FSNL513-611	60	2213 K	110	149	80	275
FSNL516-613	60	22313 K	120	177	95	315
FSNL513-611	60	C 2213 K	110	149	80	275
FSNL513-611	60	1213 K	110	149	80	275
SNL513-611	60	2213 K	110	149	80	275
SNL516-613	60	21313 K	120	177	95	315
SNL515-612	61.913	2215 K	115	155	80	280
SNL515-612	61.913	22215 K	115	155	80	280
SNL518-615	61.913	21315 K	140	194	100	345
SNL518-615	61.913	2315 K	140	194	100	345
SNL515-612	61.913	1215 K	115	155	80	280
FSNL518-615	61.913	C 2315 K	140	194	100	345
SNL518-615	61.913	C 2315 K	140	194	100	345
FSNL518-615	61.913	1315 K	140	194	100	345
SNL518-615	61.913	22315 K	140	194	100	345
FSNL518-615	61.913	22315 K	140	194	100	345
FSNL518-615	61.913	21315 K	140	194	100	345
SNL515-612	61.913	C 2215 K	115	155	80	280
FSNL515-612	61.913	22215 K	115	155	80	280

FSNL515-612	61.913	1215 K	115	155	80	280
FSNL515-612	61.913	2215 K	115	155	80	280
FSNL515-612	61.913	C 2215 K	115	155	80	280
SNL518-615	61.913	1315 K	140	194	100	345
FSNL518-615	61.913	2315 K	140	194	100	345
FSNL515-612	63.5	2215 K	115	155	80	280
SNL518-615	63.5	2315 K	140	194	100	345
SNL518-615	63.5	C 2315 K	140	194	100	345
FSNL515-612	63.5	1215 K	115	155	80	280
FSNL518-615	63.5	22315 K	140	194	100	345
SNL515-612	63.5	C 2215 K	115	155	80	280
FSNL515-612	63.5	C 2215 K	115	155	80	280
FSNL515-612	63.5	22215 K	115	155	80	280
SNL518-615	63.5	21315 K	140	194	100	345
FSNL518-615	63.5	2315 K	140	194	100	345
SNL515-612	63.5	22215 K	115	155	80	280
SNL515-612	63.5	2215 K	115	155	80	280
SNL518-615	63.5	1315 K	140	194	100	345
SNL515-612	63.5	1215 K	115	155	80	280
SNL518-615	63.5	22315 K	140	194	100	345
FSNL518-615	63.5	1315 K	140	194	100	345
FSNL518-615	63.5	C 2315 K	140	194	100	345
FSNL518-615	63.5	21315 K	140	194	100	345
FSNL518-615	65	2315 K	140	194	100	345
FSNL518-615	65	22315 K	140	194	100	345
SNL515-612	65	22215 K	115	155	80	280
SNL518-615	65	22315 K	140	194	100	345
FSNL518-615	65	21315 K	140	194	100	345
SNL518-615	65	2315 K	140	194	100	345
SNL515-612	65	C 2215 K	115	155	80	280
SNL518-615	65	1315 K	140	194	100	345
SNL515-612	65	1215 K	115	155	80	280
FSNL518-615	65	1315 K	140	194	100	345
SNL518-615	65	21315 K	140	194	100	345
FSNL515-612	65	22215 K	115	155	80	280
SNL515-612	65	2215 K	115	155	80	280
SNL518-615	65	C 2315 K	140	194	100	345
FSNL518-615	65	C 2315 K	140	194	100	345
FSNL515-612	65	1215 K	115	155	80	280
FSNL515-612	65	2215 K	115	155	80	280
FSNL515-612	65	C 2215 K	115	155	80	280
FSNL519-616	68.263	2316 K	145	212	112	345
FSNL516-613	68.263	2216 K	120	177	95	315

FSNL519-616	68.263	1316 K	145	212	112	345
FSNL516-613	68.263	1216 K	120	177	95	315
FSNL519-616	68.263	C 2316 K	145	212	112	345
FSNL516-613	68.263	22216 K	120	177	95	315
SNL519-616	68.263	21316 K	145	212	112	345
FSNL516-613	68.263	C 2216 K	120	177	95	315
SNL519-616	68.263	22316 K	145	212	112	345
FSNL519-616	68.263	22316 K	145	212	112	345
SNL519-616	68.263	2316 K	145	212	112	345
SNL516-613	68.263	C 2216 K	120	177	95	315
SNL516-613	68.263	22216 K	120	177	95	315
SNL516-613	68.263	2216 K	120	177	95	315
SNL516-613	68.263	1216 K	120	177	95	315
SNL519-616	68.263	C 2316 K	145	212	112	345
SNL519-616	68.263	1316 K	145	212	112	345
FSNL519-616	68.263	21316 K	145	212	112	345
SNL519-616	69.85	22316 K	145	212	112	345
FSNL519-616	69.85	2316 K	145	212	112	345
FSNL519-616	69.85	C 2316 K	145	212	112	345
SNL516-613	69.85	22216 K	120	177	95	315
SNL519-616	69.85	C 2316 K	145	212	112	345
SNL519-616	69.85	2316 K	145	212	112	345
SNL516-613	69.85	2216 K	120	177	95	315
FSNL516-613	69.85	C 2216 K	120	177	95	315
SNL519-616	69.85	1316 K	145	212	112	345
FSNL519-616	69.85	21316 K	145	212	112	345
FSNL519-616	69.85	22316 K	145	212	112	345
SNL516-613	69.85	1216 K	120	177	95	315
FSNL519-616	69.85	1316 K	145	212	112	345
FSNL516-613	69.85	2216 K	120	177	95	315
FSNL516-613	69.85	1216 K	120	177	95	315
SNL516-613	69.85	C 2216 K	120	177	95	315
SNL519-616	69.85	21316 K	145	212	112	345
FSNL516-613	69.85	22216 K	120	177	95	315
FSNL516-613	70	22216 K	120	177	95	315
FSNL516-613	70	2216 K	120	177	95	315
SNL519-616	70	C 2316 K	145	212	112	345
SNL519-616	70	2316 K	145	212	112	345
SNL516-613	70	C 2216 K	120	177	95	315
FSNL519-616	70	2316 K	145	212	112	345
SNL516-613	70	22216 K	120	177	95	315
FSNL519-616	70	21316 K	145	212	112	345
FSNL519-616	70	C 2316 K	145	212	112	345

FSNL519-616	70	22316 K	145	212	112	345
SNL519-616	70	1316 K	145	212	112	345
FSNL516-613	70	C 2216 K	120	177	95	315
SNL516-613	70	1216 K	120	177	95	315
FSNL519-616	70	1316 K	145	212	112	345
SNL519-616	70	22316 K	145	212	112	345
SNL519-616	70	21316 K	145	212	112	345
SNL516-613	70	2216 K	120	177	95	315
FSNL516-613	70	1216 K	120	177	95	315
FSNL517	74.612	22217 K	125	183	95	320
SNL520-617	74.612	2317 K	160	218	112	380
FSNL520-617	74.612	1317 K	160	218	112	380
FSNL520-617	74.612	C 2317 K	160	218	112	380
FSNL520-617	74.612	21317 K	160	218	112	380
SNL517	74.612	C 2217 K	125	183	95	320
FSNL517	74.612	1217 K	125	183	95	320
FSNL517	74.612	2217 K	125	183	95	320
FSNL520-617	74.612	22317 K	160	218	112	380
SNL517	74.612	22217 K	125	183	95	320
SNL520-617	74.612	21317 K	160	218	112	380
SNL520-617	74.612	22317 K	160	218	112	380
SNL520-617	74.612	1317 K	160	218	112	380
SNL517	74.612	1217 K	125	183	95	320
SNL517	74.612	2217 K	125	183	95	320
FSNL517	74.612	C 2217 K	125	183	95	320
SNL520-617	74.612	C 2317 K	160	218	112	380
FSNL520-617	74.612	2317 K	160	218	112	380
SNL520-617	75	2317 K	160	218	112	380
SNL517	75	2217 K	125	183	95	320
SNL520-617	75	1317 K	160	218	112	380
SNL520-617	75	21317 K	160	218	112	380
FSNL517	75	22217 K	125	183	95	320
FSNL520-617	75	C 2317 K	160	218	112	380
FSNL517	75	C 2217 K	125	183	95	320
SNL520-617	75	C 2317 K	160	218	112	380
SNL520-617	75	22317 K	160	218	112	380
FSNL520-617	75	2317 K	160	218	112	380
SNL517	75	C 2217 K	125	183	95	320
FSNL520-617	75	22317 K	160	218	112	380
SNL517	75	22217 K	125	183	95	320
FSNL517	75	2217 K	125	183	95	320
FSNL520-617	75	21317 K	160	218	112	380
FSNL520-617	75	1317 K	160	218	112	380

SNL517	75	1217 K	125	183	95	320
FSNL517	75	1217 K	125	183	95	320
FSNL517	76.2	1217 K	125	183	95	320
FSNL517	76.2	2217 K	125	183	95	320
SNL520-617	76.2	1317 K	160	218	112	380
FSNL520-617	76.2	22317 K	160	218	112	380
SNL520-617	76.2	21317 K	160	218	112	380
SNL517	76.2	22217 K	125	183	95	320
SNL517	76.2	1217 K	125	183	95	320
SNL517	76.2	2217 K	125	183	95	320
FSNL520-617	76.2	2317 K	160	218	112	380
FSNL520-617	76.2	C 2317 K	160	218	112	380
FSNL517	76.2	22217 K	125	183	95	320
SNL520-617	76.2	C 2317 K	160	218	112	380
FSNL517	76.2	C 2217 K	125	183	95	320
FSNL520-617	76.2	21317 K	160	218	112	380
FSNL520-617	76.2	1317 K	160	218	112	380
SNL520-617	76.2	22317 K	160	218	112	380
SNL517	76.2	C 2217 K	125	183	95	320
SNL520-617	76.2	2317 K	160	218	112	380
SNL518-615	80	1218 K	140	194	100	345
SNL518-615	80	22218 K	140	194	100	345
SNL518-615	80	2218 K	140	194	100	345
FSNL518-615	80	1218 K	140	194	100	345
SNL518-615	80	23218 K	140	194	100	345
FSNL518-615	80	2218 K	140	194	100	345
FSNL518-615	80	22218 K	140	194	100	345
SNL518-615	80	C 2218 K	140	194	100	345
FSNL518-615	80	23218 K	140	194	100	345
FSNL518-615	80	C 2218 K	140	194	100	345
FSNL518-615	80.963	22218 K	140	194	100	345
FSNL518-615	80.963	2218 K	140	194	100	345
FSNL518-615	80.963	1218 K	140	194	100	345
SNL518-615	80.963	1218 K	140	194	100	345
FSNL518-615	80.963	C 2218 K	140	194	100	345
SNL518-615	80.963	2218 K	140	194	100	345
SNL518-615	80.963	C 2218 K	140	194	100	345
SNL518-615	80.963	22218 K	140	194	100	345
FSNL518-615	80.963	23218 K	140	194	100	345
SNL518-615	80.963	23218 K	140	194	100	345
FSNL518-615	82.55	23218 K	140	194	100	345
FSNL522-619	82.55	22319 K	175	242	125	410
SNL518-615	82.55	2218 K	140	194	100	345

SNL518-615	82.55	1218 K	140	194	100	345
SNL518-615	82.55	22218 K	140	194	100	345
SNL522-619	82.55	C 2319 K	175	242	125	410
FSNL522-619	82.55	1319 K	175	242	125	410
FSNL522-619	82.55	2319 K	175	242	125	410
FSNL522-619	82.55	C 2319 K	175	242	125	410
SNL522-619	82.55	21319 K	175	242	125	410
SNL522-619	82.55	1319 K	175	242	125	410
SNL518-615	82.55	23218 K	140	194	100	345
FSNL518-615	82.55	2218 K	140	194	100	345
FSNL518-615	82.55	1218 K	140	194	100	345
SNL522-619	82.55	22319 K	175	242	125	410
SNL518-615	82.55	C 2218 K	140	194	100	345
SNL522-619	82.55	2319 K	175	242	125	410
FSNL522-619	82.55	21319 K	175	242	125	410
FSNL518-615	82.55	C 2218 K	140	194	100	345
FSNL518-615	82.55	22218 K	140	194	100	345
SNL522-619	85	C 2319 K	175	242	125	410
FSNL522-619	85	2319 K	175	242	125	410
SNL519-616	85	1219 K	145	212	112	345
SNL519-616	85	22219 K	145	212	112	345
FSNL519-616	85	22219 K	145	212	112	345
SNL519-616	85	2219 K	145	212	112	345
FSNL519-616	85	1219 K	145	212	112	345
FSNL519-616	85	2219 K	145	212	112	345
SNL522-619	85	2319 K	175	242	125	410
SNL522-619	85	22319 K	175	242	125	410
FSNL522-619	85	1319 K	175	242	125	410
FSNL522-619	85	C 2319 K	175	242	125	410
FSNL522-619	85	21319 K	175	242	125	410
FSNL522-619	85	22319 K	175	242	125	410
SNL522-619	85	1319 K	175	242	125	410
SNL522-619	85	21319 K	175	242	125	410
SNL520-617	87.313	1220 K	160	218	112	380
SNL524-620	87.313	2320 K	185	271	140	410
SNL520-617	87.313	2220 K	160	218	112	380
FSNL524-620	87.313	1320 K	185	271	140	410
SNL524-620	87.313	22320 K	185	271	140	410
FSNL524-620	87.313	C 2320 K	185	271	140	410
SNL520-617	87.313	22220 K	160	218	112	380
SNL520-617	87.313	C 2220 K	160	218	112	380
SNL524-620	87.313	1320 K	185	271	140	410
SNL524-620	87.313	21320 K	185	271	140	410

FSNL524-620	87.313	22320 K	185	271	140	410
FSNL520-617	87.313	2220 K	160	218	112	380
FSNL520-617	87.313	22220 K	160	218	112	380
FSNL520-617	87.313	1220 K	160	218	112	380
FSNL524-620	87.313	21320 K	185	271	140	410
SNL520-617	87.313	23220 K	160	218	112	380
SNL524-620	87.313	C 2320 K	185	271	140	410
FSNL520-617	87.313	23220 K	160	218	112	380
FSNL520-617	87.313	C 2220 K	160	218	112	380
FSNL524-620	87.313	2320 K	185	271	140	410
SNL524-620	88.9	22320 K	185	271	140	410
FSNL524-620	88.9	C 2320 K	185	271	140	410
FSNL524-620	88.9	21320 K	185	271	140	410
FSNL520-617	88.9	22220 K	160	218	112	380
FSNL520-617	88.9	23220 K	160	218	112	380
SNL524-620	88.9	C 2320 K	185	271	140	410
FSNL520-617	88.9	2220 K	160	218	112	380
FSNL520-617	88.9	1220 K	160	218	112	380
SNL520-617	88.9	C 2220 K	160	218	112	380
FSNL524-620	88.9	2320 K	185	271	140	410
FSNL524-620	88.9	1320 K	185	271	140	410
SNL520-617	88.9	2220 K	160	218	112	380
FSNL520-617	88.9	C 2220 K	160	218	112	380
SNL520-617	88.9	22220 K	160	218	112	380
SNL520-617	88.9	1220 K	160	218	112	380
SNL524-620	88.9	1320 K	185	271	140	410
SNL520-617	88.9	23220 K	160	218	112	380
FSNL524-620	88.9	22320 K	185	271	140	410
SNL524-620	88.9	21320 K	185	271	140	410
SNL524-620	88.9	2320 K	185	271	140	410
SNL520-617	90	2220 K	160	218	112	380
FSNL524-620	90	22320 K	185	271	140	410
FSNL520-617	90	1220 K	160	218	112	380
SNL520-617	90	1220 K	160	218	112	380
FSNL520-617	90	C 2220 K	160	218	112	380
FSNL524-620	90	C 2320 K	185	271	140	410
FSNL520-617	90	23220 K	160	218	112	380
SNL520-617	90	C 2220 K	160	218	112	380
FSNL520-617	90	22220 K	160	218	112	380
SNL524-620	90	21320 K	185	271	140	410
FSNL520-617	90	2220 K	160	218	112	380
FSNL524-620	90	21320 K	185	271	140	410
SNL524-620	90	1320 K	185	271	140	410

SNL524-620	90	C 2320 K	185	271	140	410
SNL524-620	90	22320 K	185	271	140	410
SNL520-617	90	23220 K	160	218	112	380
SNL520-617	90	22220 K	160	218	112	380
FSNL524-620	90	2320 K	185	271	140	410
SNL524-620	90	2320 K	185	271	140	410
FSNL524-620	90	1320 K	185	271	140	410
SNL522-619	100	2222 K	175	242	125	410
FSNL522-619	100	1222 K	175	242	125	410
SNL522-619	100	1222 K	175	242	125	410
FSNL522-619	100	22222 K	175	242	125	410
SNL522-619	100	22222 K	175	242	125	410
FSNL522-619	100	23222 K	175	242	125	410
FSNL522-619	100	2222 K	175	242	125	410
FSNL522-619	100	C 2222 K	175	242	125	410
SNL522-619	100	C 2222 K	175	242	125	410
SNL522-619	100	23222 K	175	242	125	410
FSNL522-619	101.6	23222 K	175	242	125	410
SNL522-619	101.6	22222 K	175	242	125	410
SNL522-619	101.6	2222 K	175	242	125	410
SNL522-619	101.6	1222 K	175	242	125	410
FSNL522-619	101.6	2222 K	175	242	125	410
FSNL522-619	101.6	1222 K	175	242	125	410
FSNL522-619	101.6	22222 K	175	242	125	410
FSNL522-619	101.6	C 2222 K	175	242	125	410
SNL522-619	101.6	23222 K	175	242	125	410
SNL522-619	101.6	C 2222 K	175	242	125	410
SNL524-620	106.362	23224 K	185	271	140	410
FSNL524-620	106.362	1224 K	185	271	140	410
FSNL524-620	106.362	C 3224 K	185	271	140	410
SNL524-620	106.362	C 3224 K	185	271	140	410
FSNL524-620	106.362	23224 K	185	271	140	410
SNL524-620	106.362	22224 K	185	271	140	410
SNL524-620	106.362	1224 K	185	271	140	410
FSNL524-620	106.362	22224 K	185	271	140	410
SNL524-620	107.95	23224 K	185	271	140	410
SNL524-620	107.95	1224 K	185	271	140	410
SNL524-620	107.95	22224 K	185	271	140	410
SNL524-620	107.95	C 3224 K	185	271	140	410
FSNL524-620	107.95	22224 K	185	271	140	410
FSNL524-620	107.95	1224 K	185	271	140	410
FSNL524-620	107.95	C 3224 K	185	271	140	410
FSNL524-620	107.95	23224 K	185	271	140	410

SNL524-620	110	C 3224 K	185	271	140	410
FSNL524-620	110	23224 K	185	271	140	410
FSNL524-620	110	22224 K	185	271	140	410
FSNL524-620	110	1224 K	185	271	140	410
SNL524-620	110	1224 K	185	271	140	410
SNL524-620	110	22224 K	185	271	140	410
SNL524-620	110	23224 K	185	271	140	410
FSNL524-620	110	C 3224 K	185	271	140	410
SNL526	112.713	23226 K	190	290	150	445
FSNL526	112.713	22226 K	190	290	150	445
FSNL526	112.713	C 2226 K	190	290	150	445
SNL526	112.713	C 2226 K	190	290	150	445
FSNL526	112.713	23226 K	190	290	150	445
SNL526	112.713	22226 K	190	290	150	445
SNL526	114.3	22226 K	190	290	150	445
FSNL526	114.3	C 2226 K	190	290	150	445
FSNL526	114.3	22226 K	190	290	150	445
FSNL526	114.3	23226 K	190	290	150	445
SNL526	114.3	23226 K	190	290	150	445
SNL526	114.3	C 2226 K	190	290	150	445
FSNL526	115	C 2226 K	190	290	150	445
SNL526	115	23226 K	190	290	150	445
FSNL526	115	23226 K	190	290	150	445
SNL526	115	22226 K	190	290	150	445
FSNL526	115	22226 K	190	290	150	445
SNL526	115	C 2226 K	190	290	150	445
SNL528	125	C 2228 K	205	302	150	500
SNL528	125	23228 K	205	302	150	500
FSNL528	125	C 2228 K	205	302	150	500
FSNL528	125	22228 K	205	302	150	500
FSNL528	125	23228 K	205	302	150	500
SNL528	125	22228 K	205	302	150	500
SNL528	125.412	C 2228 K	205	302	150	500
FSNL528	125.412	23228 K	205	302	150	500
SNL528	125.412	22228 K	205	302	150	500
SNL528	125.412	23228 K	205	302	150	500
FSNL528	125.412	C 2228 K	205	302	150	500
FSNL528	125.412	22228 K	205	302	150	500
FSNL528	127	23228 K	205	302	150	500
FSNL528	127	22228 K	205	302	150	500
FSNL528	127	C 2228 K	205	302	150	500
SNL528	127	C 2228 K	205	302	150	500
SNL528	127	23228 K	205	302	150	500

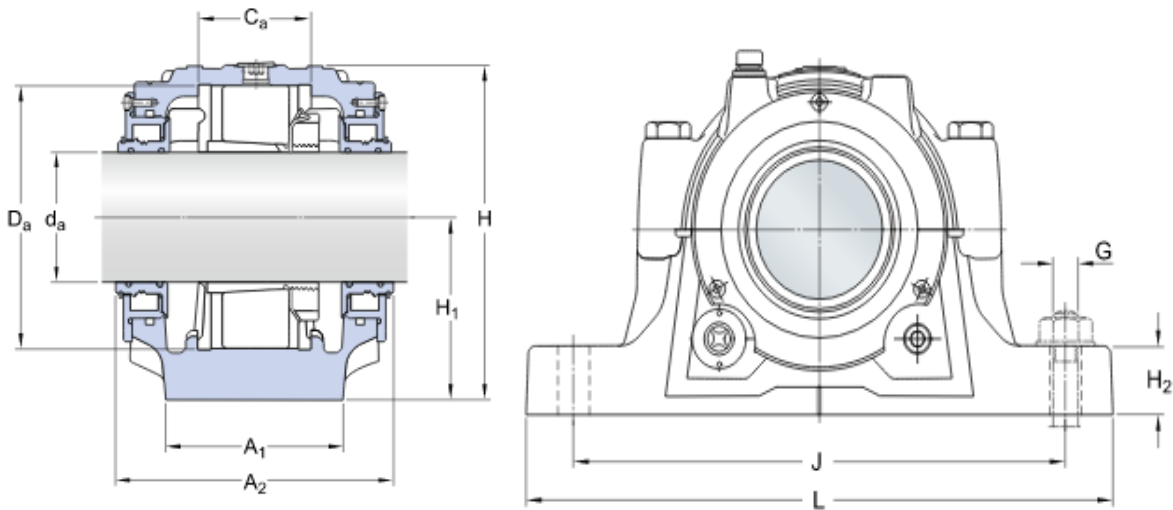
SNL528	127	22228 K	205	302	150	500
FSNL530	131.762	C 2230 K	220	323	160	530
FSNL530	131.762	23230 K	220	323	160	530
SNL530	131.762	22230 K	220	323	160	530
SNL530	131.762	23230 K	220	323	160	530
SNL530	131.762	C 2230 K	220	323	160	530
FSNL530	131.762	22230 K	220	323	160	530
FSNL530	133.35	23230 K	220	323	160	530
FSNL530	133.35	C 2230 K	220	323	160	530
SNL530	133.35	23230 K	220	323	160	530
SNL530	133.35	C 2230 K	220	323	160	530
SNL530	133.35	22230 K	220	323	160	530
FSNL530	133.35	22230 K	220	323	160	530
SNL530	135	22230 K	220	323	160	530
FSNL530	135	23230 K	220	323	160	530
SNL530	135	23230 K	220	323	160	530
SNL530	135	C 2230 K	220	323	160	530
FSNL530	135	C 2230 K	220	323	160	530
FSNL530	135	22230 K	220	323	160	530
SNL532	138.113	23232 K	235	344	170	550
FSNL532	138.113	22232 K	235	344	170	550
SNL532	138.113	C 3232 K	235	344	170	550
FSNL532	138.113	23232 K	235	344	170	550
SNL532	138.113	22232 K	235	344	170	550
FSNL532	138.113	C 3232 K	235	344	170	550
SNL532	139.7	22232 K	235	344	170	550
FSNL532	139.7	C 3232 K	235	344	170	550
FSNL532	139.7	22232 K	235	344	170	550
SNL532	139.7	C 3232 K	235	344	170	550
FSNL532	139.7	23232 K	235	344	170	550
SNL532	139.7	23232 K	235	344	170	550
SNL532	140	22232 K	235	344	170	550
FSNL532	140	C 3232 K	235	344	170	550
FSNL532	140	23232 K	235	344	170	550
FSNL532	140	22232 K	235	344	170	550
SNL532	140	C 3232 K	235	344	170	550
SNL532	140	23232 K	235	344	170	550
SNL3134	115	22326 K	230	333	170	510
SNL3136	125	22328 K	240	353	180	530
SNL3138	135	22330 K	260	375	190	560
SNL3140	140	22332 K	280	411	210	610
SNL3038	140	22232 K	240	353	180	530
SNL3234	150	23234 K	260	375	190	560

SNL3134	150	23134 K	230	333	170	510
SNL3134	150	C 3134 K	230	333	170	510
SNL3048	150	22334 K	290	434	220	640
SNL3040	150	C 2234 K	260	375	190	560
SNL3040	150	22234 K	260	375	190	560
SNL3134	150.813	23134 K	230	333	170	510
SNL3134	150.813	C 3134 K	230	333	170	510
SNL3048	150.813	22334 K	290	434	220	640
SNL3234	150.813	23234 K	260	375	190	560
SNL3136	160	23136 K	240	353	180	530
SNL3136	160	C 3136 K	240	353	180	530
SNL3138	160	22236 K	260	375	190	560
SNL3036	160	C 3036 K	230	333	170	510
SNL3236	160	23236 K	260	375	190	560
SNL3236	160	C 3236 K	260	375	190	560
SNL3036	160	23036 K	230	333	170	510
SNL3236	163.512	C 3236 K	260	375	190	560
SNL3136	163.512	C 3136 K	240	353	180	530
SNL3136	163.512	23136 K	240	353	180	530
SNL3036	163.512	C 3036 K	230	333	170	510
SNL3138	163.512	22236 K	260	375	190	560
SNL3036	163.512	23036 K	230	333	170	510
SNL3236	163.512	23236 K	260	375	190	560
SNL3238	170	23238 K	280	411	210	610
SNL3140	170	22238 K	280	411	210	610
SNL3140	170	C 2238 K	280	411	210	610
SNL3038	170	23038 K	240	353	180	530
SNL3148	170	22338 K	310	474	240	700
SNL3138	170	23138 K	260	375	190	560
SNL3138	170	C 3138 K	260	375	190	560
SNL3038	170	C 3038 K	240	353	180	530
SNL3038	176.213	C 3038 K	240	353	180	530
SNL3238	176.213	23238 K	280	411	210	610
SNL3140	176.213	C 2238 K	280	411	210	610
SNL3038	176.213	23038 K	240	353	180	530
SNL3138	176.213	C 3138 K	260	375	190	560
SNL3140	176.213	22238 K	280	411	210	610
SNL3138	176.213	23138 K	260	375	190	560
SNL3148	176.213	22338 K	310	474	240	700
SNL3040	180	23040 K	260	375	190	560
SNL3040	180	C 3040 K	260	375	190	560
SNL3056	180	22340 K	320	516	260	770
SNL3140	180	C 3140 K	280	411	210	610

SNL3240	180	23240 K	290	434	220	640
SNL3140	180	23140 K	280	411	210	610
SNL3048	180	22240 K	290	434	220	640
SNL3040	182.563	23040 K	260	375	190	560
SNL3240	182.563	23240 K	290	434	220	640
SNL3140	182.563	C 3140 K	280	411	210	610
SNL3140	182.563	23140 K	280	411	210	610
SNL3040	182.563	C 3040 K	260	375	190	560
SNL3048	182.563	22240 K	290	434	220	640
SNL3148	200	22244 K	310	474	240	700
SNL3144	200	C 3144 K	290	434	220	640
SNL3156	200	22344 K	320	551	280	790
SNL3144	200	23144 K	290	434	220	640
SNL3244	200	23244 K	310	474	240	700
SNL3044	200	C 3044 K	280	411	210	610
SNL3044	200	23044 K	280	411	210	610
SNL3148	200	C 2244 K	310	474	240	700
SNL3148	220	23148 K	310	474	240	700
SNL3152	220	22248 K	320	516	260	770
SNL3148	220	C 3148 K	310	474	240	700
SNL3048	220	C 3048 K	290	434	220	640
SNL3248	220	23248 K	320	516	260	770
SNL3048	220	23048 K	290	434	220	640
SNL3160	220	22348 K	350	591	300	830
SNL3248	227.012	23248 K	320	516	260	770
SNL3052	239.713	C 3052 K	310	474	240	700
SNL3052	239.713	23052 K	310	474	240	700
SNL3252	239.713	23252 K	350	591	300	830
SNL3052	240	C 3052 K	310	474	240	700
SNL3152	240	23152 K	320	516	260	770
SNL3064	240	22252 K	350	591	300	830
SNL3164	240	22352 K	370	631	320	880
SNL3152	240	C 3152 K	320	516	260	770
SNL3052	240	23052 K	310	474	240	700
SNL3252	240	23252 K	350	591	300	830
SNL3056	252.412	C 3056 K	320	516	260	770
SNL3056	252.412	23056 K	320	516	260	770
SNL3168	260	22356 K	400	675	340	950
SNL3256	260	23256 K	350	591	300	830
SNL3156	260	C 3156 K	320	551	280	790
SNL3056	260	C 3056 K	320	516	260	770
SNL3160	260	22256 K	350	591	300	830
SNL3156	260	23156 K	320	551	280	790

SNL3056	260	23056 K	320	516	260	770
SNL3056	265.113	23056 K	320	516	260	770
SNL3056	265.113	C 3056 K	320	516	260	770
SNL3256	265.113	23256 K	350	591	300	830
SNL3260	277.813	23260 K	370	631	320	880
SNL3060	277.813	23060 K	320	551	280	790
SNL3160	277.813	23160 K	350	591	300	830
SNL3060	277.813	C 3060 K	320	551	280	790
SNL3160	277.813	C 3160 K	350	591	300	830
SNL3160	280	23160 K	350	591	300	830
SNL3260	280	23260 K	370	631	320	880
SNL3160	280	C 3160 K	350	591	300	830
SNL3060	280	23060 K	320	551	280	790
SNL3060	280	C 3060 K	320	551	280	790
SNL3164	280	22260 K	370	631	320	880
SNL3168	300	22264 K	400	675	340	950
SNL3264	300	23264 K	400	675	340	950
SNL3164	300	23164 K	370	631	320	880
SNL3064	300	23064 K	350	591	300	830
SNL3164	300	C 3164 K	370	631	320	880
SNL3064	300	C 3064 K	350	591	300	830
SNL3064	303.212	23064 K	350	591	300	830
SNL3264	303.212	23264 K	400	675	340	950
SNL3064	303.212	C 3064 K	350	591	300	830
SNL3068	315.913	23068 K	370	631	320	880
SNL3068	315.913	C 3068 K	370	631	320	880
SNL3168	320	23168 K	400	675	340	950
SNL3068	320	23068 K	370	631	320	880
SNL3268	320	23268 K	400	715	360	1040
SNL3068	320	C 3068 K	370	631	320	880
SNL3072	340	C 3072 K	370	631	320	880
SNL3072	340	23072 K	370	631	320	880
SNL3272	340	23272 K	430	755	380	1120
SNL3172	340	23172 K	400	695	350	1000
SNL3180	340	22272 K	430	755	380	1120
SNL3072	341.313	23072 K	370	631	320	880
SNL3072	341.313	C 3072 K	370	631	320	880
SNL3076	354.012	23076 K	400	675	340	950
SNL3076	360	23076 K	400	675	340	950
SNL3176	360	23176 K	400	715	360	1040
SNL3276	360	23276 K	460	810	410	1170
SNL3280	380	23280 K	460	835	420	1220
SNL3180	380	23180 K	430	755	380	1120

SNL3080	380	23080 K	400	695	350	1000
SNL3284	400	23284 K	470	880	440	1280
SNL3184	400	23184 K	460	810	410	1170
SNL3084	400	23084 K	400	715	360	1040
SNL3088	410	23088 K	430	755	380	1120
SNL3188	410	23188 K	460	835	420	1220
SNL3288	410	23288 K	470	920	460	1330
SNL3192	430	23192 K	470	880	440	1280
SNL3092	430	23092 K	460	810	410	1170
SNL3196	450	23196 K	470	920	460	1330
SNL3096	450	23096 K	460	810	410	1170
SNL30/500	470	230/500 K	460	835	420	1220
SNL30/530	500	230/530 K	470	920	460	1330



Designation	Shaft diameter	Appropriate bearing	Principal housing dimensions			
			H	H1	L	
			mm			
FSNL613 TURU	60	1313 K	177	95	315	
SNL613 TURU	60	21313 K	177	95	315	
FSNL613 TURU	60	22313 K	177	95	315	
SNL613 TURU	60	2313 K	177	95	315	
SNL613 TURU	60	1313 K	177	95	315	
SNL613 TURU	60	22313 K	177	95	315	
FSNL613 TURU	60	21313 K	177	95	315	
FSNL613 TURU	60	2313 K	177	95	315	
FSNL615 TURU	65	1315 K	194	100	345	
FSNL615 TURU	65	C 2315 K	194	100	345	
SNL615 TURU	65	1315 K	194	100	345	
SNL615 TURU	65	2315 K	194	100	345	
SNL615 TURU	65	21315 K	194	100	345	

SNL615 TURU	65	22315 K	194	100	345	
FSNL615 TURU	65	2315 K	194	100	345	
FSNL615 TURU	65	21315 K	194	100	345	
FSNL615 TURU	65	22315 K	194	100	345	
SNL615 TURU	65	C 2315 K	194	100	345	
FSNL616 TURU	70	C 2316 K	212	112	345	
FSNL616 TURU	70	2316 K	212	112	345	
SNL516 TURU	70	1216 K	177	95	315	
SNL616 TURU	70	2316 K	212	112	345	
SNL616 TURU	70	21316 K	212	112	345	
FSNL616 TURU	70	1316 K	212	112	345	
FSNL616 TURU	70	21316 K	212	112	345	
SNL616 TURU	70	1316 K	212	112	345	
FSNL616 TURU	70	22316 K	212	112	345	
SNL616 TURU	70	C 2316 K	212	112	345	
SNL516 TURU	70	22216 K	177	95	315	
SNL616 TURU	70	22316 K	212	112	345	
SNL516 TURU	70	2216 K	177	95	315	
SNL516 TURU	70	C 2216 K	177	95	315	
SNL517 TURU	75	1217 K	183	95	320	
SNL617 TURU	75	21317 K	218	112	380	
SNL517 TURU	75	C 2217 K	183	95	320	
FSNL617 TURU	75	21317 K	218	112	380	
FSNL617 TURU	75	22317 K	218	112	380	
FSNL617 TURU	75	1317 K	218	112	380	
FSNL617 TURU	75	C 2317 K	218	112	380	
SNL517 TURU	75	22217 K	183	95	320	
SNL517 TURU	75	2217 K	183	95	320	
FSNL617 TURU	75	2317 K	218	112	380	
SNL617 TURU	75	1317 K	218	112	380	
SNL617 TURU	75	22317 K	218	112	380	
SNL617 TURU	75	C 2317 K	218	112	380	
SNL617 TURU	75	2317 K	218	112	380	
SNL518 TURU	80	C 2218 K	194	100	345	
SNL518 TURU	80	2218 K	194	100	345	
SNL518 TURU	80	22218 K	194	100	345	
SNL518 TURU	80	23218 K	194	100	345	
SNL518 TURU	80	1218 K	194	100	345	
SNL519 TURU	85	22219 K	212	112	345	
FSNL519 TURU	85	22219 K	212	112	345	
SNL519 TURU	85	1219 K	212	112	345	
FSNL519 TURU	85	1219 K	212	112	345	
FSNL619 TURU	85	C 2319 K	242	125	410	

SNL619 TURU	85	C 2319 K	242	125	410	
SNL619 TURU	85	21319 K	242	125	410	
FSNL619 TURU	85	2319 K	242	125	410	
SNL619 TURU	85	1319 K	242	125	410	
FSNL619 TURU	85	21319 K	242	125	410	
SNL519 TURU	85	2219 K	212	112	345	
SNL619 TURU	85	2319 K	242	125	410	
FSNL619 TURU	85	1319 K	242	125	410	
SNL619 TURU	85	22319 K	242	125	410	
FSNL619 TURU	85	22319 K	242	125	410	
FSNL519 TURU	85	2219 K	212	112	345	
FSNL520 TURU	90	2220 K	218	112	380	
FSNL620 TURU	90	1320 K	271	140	410	
SNL520 TURU	90	22220 K	218	112	380	
FSNL620 TURU	90	22320 K	271	140	410	
SNL620 TURU	90	1320 K	271	140	410	
SNL520 TURU	90	2220 K	218	112	380	
SNL520 TURU	90	1220 K	218	112	380	
FSNL620 TURU	90	C 2320 K	271	140	410	
SNL620 TURU	90	22320 K	271	140	410	
FSNL520 TURU	90	22220 K	218	112	380	
SNL520 TURU	90	C 2220 K	218	112	380	
SNL620 TURU	90	21320 K	271	140	410	
FSNL620 TURU	90	2320 K	271	140	410	
SNL620 TURU	90	C 2320 K	271	140	410	
FSNL520 TURU	90	23220 K	218	112	380	
FSNL520 TURU	90	C 2220 K	218	112	380	
SNL620 TURU	90	2320 K	271	140	410	
SNL520 TURU	90	23220 K	218	112	380	
FSNL520 TURU	90	1220 K	218	112	380	
FSNL620 TURU	90	21320 K	271	140	410	
SNL522 TURU	100	C 2222 K	242	125	410	
FSNL522 TURU	100	22222 K	242	125	410	
FSNL522 TURU	100	2222 K	242	125	410	
SNL522 TURU	100	1222 K	242	125	410	
SNL522 TURU	100	23222 K	242	125	410	
SNL522 TURU	100	22222 K	242	125	410	
FSNL522 TURU	100	1222 K	242	125	410	
FSNL522 TURU	100	23222 K	242	125	410	
SNL522 TURU	100	2222 K	242	125	410	
FSNL522 TURU	100	C 2222 K	242	125	410	
SNL524 TURU	110	22224 K	271	140	410	
SNL524 TURU	110	1224 K	271	140	410	

SNL524 TURU	110	23224 K	271	140	410	
SNL524 TURU	110	C 3224 K	271	140	410	
FSNL524 TURU	110	1224 K	271	140	410	
FSNL524 TURU	110	23224 K	271	140	410	
FSNL524 TURU	110	C 3224 K	271	140	410	
FSNL524 TURU	110	22224 K	271	140	410	
SNL526 TURU	115	22226 K	290	150	445	
FSNL526 TURU	115	C 2226 K	290	150	445	
FSNL526 TURU	115	22226 K	290	150	445	
SNL526 TURU	115	23226 K	290	150	445	
SNL526 TURU	115	C 2226 K	290	150	445	
FSNL526 TURU	115	23226 K	290	150	445	
FSNL528 TURU	125	C 2228 K	302	150	500	
SNL528 TURU	125	22228 K	302	150	500	
SNL528 TURU	125	23228 K	302	150	500	
SNL528 TURU	125	C 2228 K	302	150	500	
FSNL528 TURU	125	23228 K	302	150	500	
FSNL528 TURU	125	22228 K	302	150	500	
SNL530 TURU	135	23230 K	323	160	530	
FSNL530 TURU	135	23230 K	323	160	530	
FSNL530 TURU	135	C 2230 K	323	160	530	
SNL530 TURU	135	22230 K	323	160	530	
FSNL530 TURU	135	22230 K	323	160	530	
SNL530 TURU	135	C 2230 K	323	160	530	
FSNL532 TURU	140	C 3232 K	344	170	550	
SNL532 TURU	140	23232 K	344	170	550	
SNL532 TURU	140	22232 K	344	170	550	
FSNL532 TURU	140	22232 K	344	170	550	
SNL532 TURU	140	C 3232 K	344	170	550	
FSNL532 TURU	140	23232 K	344	170	550	