

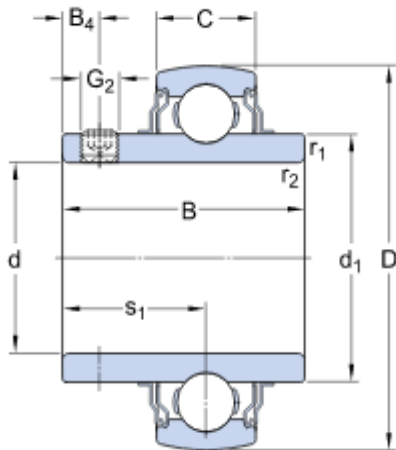
Deep Groove Ball Bearing for High Temperature application

Designation	Principal dimensions			Basic load ratings		Limiting speed r/min	Limiting temperature °C
	d	D	B	dynamic C	static C0		
	mm			kN			
6201-2Z/VA228	12	32	10	7.28	3.1	400	250
6201/VA201	12	32	10	7.28	3.1	200	250
6201-2Z/VA201	15	35	11	8.06	3.75	180	250
6202-2Z/VA201	15	35	11	8.06	3.75	360	250
6202/VA201	15	35	11	8.06	3.75	360	350
6202-2Z/VA228	17	35	10	6.37	3.25	170	250
6003-2Z/VA201	17	40	12	9.95	4.75	310	250
6203/VA201	17	35	10	6.37	3.25	170	350
6003-2Z/VA208	17	47	14	14.3	6.55	280	350
6303-2Z/VA228	17	40	12	9.95	4.75	310	350
6203-2Z/VA228	17	47	14	14.3	6.55	280	250
6303/VA201	17	35	10	6.37	3.25	340	250
6003/VA201	17	40	12	9.95	4.75	150	250
6203-2Z/VA201	20	52	15	16.8	7.8	250	350
6304-2Z/VA228	20	47	14	13.5	6.55	130	250
6204-2Z/VA201	20	52	15	16.8	7.8	250	250
6304/VA201	20	52	15	16.8	7.8	120	350
6304-2Z/VA208	20	42	12	9.95	5	290	250
6004/VA201	20	47	14	13.5	6.55	260	350
6204-2Z/VA228	20	52	15	16.8	7.8	120	250
6304-2Z/VA201	20	42	12	9.95	5	140	350
6004-2Z/VA208	20	42	12	9.95	5	140	250
6004-2Z/VA201	20	47	14	13.5	6.55	260	250

6204/VA201	25	47	12	11.9	6.55	250	250
6005/VA201	25	52	15	14.8	7.8	110	250
6205-2Z/VA201	25	52	15	14.8	7.8	110	350
6205-2Z/VA208	25	62	17	23.4	11.6	200	250
6305/VA201	25	47	12	11.9	6.55	120	250
6005-2Z/VA201	25	52	15	14.8	7.8	230	250
6205/VA201	25	47	12	11.9	6.55	120	350
6005-2Z/VA208	25	62	17	23.4	11.6	100	350
6305-2Z/VA208	25	62	17	23.4	11.6	100	250
6305-2Z/VA201	25	62	17	23.4	11.6	200	350
6305-2Z/VA228	25	52	15	14.8	7.8	230	350
6205-2Z/VA228	30	62	16	20.3	11.2	190	350
6206-2Z/VA228	30	62	16	20.3	11.2	190	250
6206/VA201	30	72	19	29.6	16	170	250
6306/VA201	30	72	19	29.6	16	170	350
6306-2Z/VA228	30	72	19	29.6	16	80	350
6306-2Z/VA208	30	62	16	20.3	11.2	90	350
6206-2Z/VA208	30	62	16	20.3	11.2	90	250
6206-2Z/VA201	30	55	13	13.8	8.3	100	350
6006-2Z/VA208	35	80	21	35.1	19	150	250
6307/VA201	35	72	17	27	15.3	160	350
6207-2Z/VA228	35	80	21	35.1	19	70	350
6307-2Z/VA208	35	72	17	27	15.3	160	250
6207/VA201	35	72	17	27	15.3	80	350
6207-2Z/VA208	35	72	17	27	15.3	80	250
6207-2Z/VA201	40	68	15	17.8	11	80	350
6008-2Z/VA208	40	80	18	32.5	19	150	250
6208/VA201	40	80	18	32.5	19	150	350
6208-2Z/VA228	40	90	23	42.3	24	130	350
6308-2Z/VA228	40	90	23	42.3	24	130	250
6308/VA201	40	80	18	32.5	19	70	250
6208-2Z/VA201	40	90	23	42.3	24	60	350
6308-2Z/VA208	40	90	23	42.3	24	60	250
6308-2Z/VA201	40	80	18	32.5	19	70	350
6208-2Z/VA208	45	85	19	35.1	21.6	130	250
6209/VA201	45	85	19	35.1	21.6	60	350
6209-2Z/VA208	45	85	19	35.1	21.6	60	250
6209-2Z/VA201	45	100	25	55.3	31.5	60	350
6309-2Z/VA208	45	85	19	35.1	21.6	130	350
6209-2Z/VA228	45	100	25	55.3	31.5	120	250
6309/VA201	50	110	27	65	38	50	250
6310-2Z/VA201	50	110	27	65	38	50	350
6310-2Z/VA208	50	90	20	37.1	23.2	120	350

6210-2Z/VA228	50	110	27	65	38	110	350
6310-2Z/VA228	50	110	27	65	38	110	250
6310/VA201	50	90	20	37.1	23.2	60	250
6210-2Z/VA201	50	90	20	37.1	23.2	60	350
6210-2Z/VA208	50	80	16	22.9	15.6	60	350
6010-2Z/VA208	50	90	20	37.1	23.2	120	250
6210/VA201	55	90	18	29.6	21.2	60	350
6011-2Z/VA208	55	100	21	46.2	29	110	250
6211/VA201	55	120	29	74.1	45	50	350
6311-2Z/VA208	55	120	29	74.1	45	50	250
6311-2Z/VA201	55	120	29	74.1	45	100	250
6311/VA201	55	100	21	46.2	29	50	350
6211-2Z/VA208	55	100	21	46.2	29	50	250
6211-2Z/VA201	55	120	29	74.1	45	100	350
6311-2Z/VA228	55	100	21	46.2	29	110	350
6211-2Z/VA228	60	130	31	85.2	52	40	350
6312-2Z/VA208	60	130	31	85.2	52	90	250
6312/VA201	60	130	31	85.2	52	90	350
6312-2Z/VA228	60	110	22	55.3	36	100	350
6212-2Z/VA228	60	110	22	55.3	36	100	250
6212/VA201	60	110	22	55.3	36	50	250
6212-2Z/VA201	60	110	22	55.3	36	50	350
6212-2Z/VA208	65	140	33	97.5	60	80	350
6313-2Z/VA228	65	140	33	97.5	60	40	350
6313-2Z/VA208	65	120	23	58.5	40.5	90	250
6213/VA201	65	140	33	97.5	60	40	250
6313-2Z/VA201	65	120	23	58.5	40.5	40	350
6213-2Z/VA208	65	120	23	58.5	40.5	40	250
6213-2Z/VA201	65	140	33	97.5	60	80	250
6313/VA201	65	120	23	58.5	40.5	90	350
6213-2Z/VA228	70	125	24	63.7	45	90	350
6214-2Z/VA228	70	125	24	63.7	45	90	250
6214/VA201	70	125	24	63.7	45	40	250
6214-2Z/VA201	70	150	35	111	68	40	350
6314-2Z/VA208	70	125	24	63.7	45	40	350
6214-2Z/VA208	70	150	35	111	68	80	250
6314/VA201	75	130	25	68.9	49	80	350
6215-2Z/VA228	75	130	25	68.9	49	40	350
6215-2Z/VA208	75	130	25	68.9	49	40	250
6215-2Z/VA201	75	160	37	119	76.5	30	350
6315-2Z/VA208	75	130	25	68.9	49	80	250
6215/VA201	75	160	37	119	76.5	70	250
6315/VA201	80	140	26	72.8	55	40	350

6216-2Z/VA208	80	170	39	130	86.5	30	350
6316-2Z/VA208	85	150	28	87.1	64	30	350
6217-2Z/VA208	85	150	28	87.1	64	70	250
6217/VA201	90	160	30	101	73.5	70	350
6218-2Z/VA228	95	170	32	114	81.5	60	250
6219/VA201	95	170	32	114	81.5	60	350
6219-2Z/VA228	95	170	32	114	81.5	30	250
6219-2Z/VA201	100	150	24	63.7	54	30	350
6020-2Z/VA208	100	180	34	127	93	60	350
6220-2Z/VA228	100	180	34	127	93	60	250
6220/VA201	100	180	34	127	93	30	350
6220-2Z/VA208	110	170	28	85.2	73.5	30	350
6022-2Z/VA208	120	180	28	88.4	80	30	350



Pillow block bearing Insert bearings for high temperature applications

Designation	Principal dimensions				Basic load ratings		Limiting speed	Limiting temperature
					dynamically	static		
	d	D	B	C	C	C0	r/min	T _{max}
	mm				kN			°C
YAR 204-012-2FW/VA228	19.05	47	31	14	12.7	6.55	270	350
YAR 204-012-2FW/VA201	19.05	47	31	14	12.7	6.55	130	250
YAR 204-2FW/VA228	20	47	31	14	12.7	6.55	260	350
YAR 204-2FW/VA201	20	47	31	14	12.7	6.55	130	250
YAR 205-2FW/VA228	25	52	34.1	15	14	7.8	230	350
YAR 205-2FW/VA201	25	52	34.1	15	14	7.8	110	250
YAR 205-100-2FW/VA228	25.4	52	34.1	15	14	7.8	230	350
YAR 205-100-2FW/VA201	25.4	52	34.1	15	14	7.8	110	250
YAR 206-2FW/VA201	30	62	38.1	18	19.5	11.2	90	250
YAR 206-2FW/VA228	30	62	38.1	18	19.5	11.2	190	350
YAR 206-103-2FW/VA228	30.163	62	38.1	18	19.5	11.2	190	350

YAR 206-103-2FW/VA201	30.163	62	38.1	18	19.5	11.2	90	250
YAR 207-104-2FW/VA201	31.75	72	42.9	19	25.5	15.3	80	250
YAR 207-104-2FW/VA228	31.75	72	42.9	19	25.5	15.3	170	350
YAR 207-106-2FW/VA201	34.925	72	42.9	19	25.5	15.3	80	250
YAR 207-106-2FW/VA228	34.925	72	42.9	19	25.5	15.3	160	350
YAR 207-2FW/VA228	35	72	42.9	19	25.5	15.3	160	350
YAR 207-2FW/VA201	35	72	42.9	19	25.5	15.3	80	250
YAR 207-107-2FW/VA228	36.513	72	42.9	19	25.5	15.3	160	350
YAR 207-107-2FW/VA201	36.513	72	42.9	19	25.5	15.3	80	250
YAR 208-108-2FW/VA228	38.1	80	49.2	21	30.7	19	150	350
YAR 208-108-2FW/VA201	38.1	80	49.2	21	30.7	19	70	250
YAR 208-2FW/VA228	40	80	49.2	21	30.7	19	150	350
YAR 208-2FW/VA201	40	80	49.2	21	30.7	19	70	250
YAR 209-111-2FW/VA201	42.862	85	49.2	22	33.2	21.6	70	250
YAR 209-111-2FW/VA228	42.862	85	49.2	22	33.2	21.6	140	350
YAR 209-112-2FW/VA228	44.45	85	49.2	22	33.2	21.6	130	350
YAR 209-112-2FW/VA201	44.45	85	49.2	22	33.2	21.6	60	250
YAR 209-2FW/VA228	45	85	49.2	22	33.2	21.6	130	350
YAR 209-2FW/VA201	45	85	49.2	22	33.2	21.6	60	250
YAR 210-115-2FW/VA201	49.212	90	51.6	22	35.1	23.2	60	250
YAR 210-115-2FW/VA228	49.212	90	51.6	22	35.1	23.2	120	350
YAR 210-2FW/VA228	50	90	51.6	22	35.1	23.2	120	350
YAR 210-2FW/VA201	50	90	51.6	22	35.1	23.2	60	250
YAR 211-200-2FW/VA228	50.8	100	55.6	25	43.6	29	110	350
YAR 211-200-2FW/VA201	50.8	100	55.6	25	43.6	29	50	250
YAR 211-2FW/VA228	55	100	55.6	25	43.6	29	110	350
YAR 211-2FW/VA201	55	100	55.6	25	43.6	29	50	250
YAR 211-203-2FW/VA201	55.563	100	55.6	25	25	29	50	250
YAR 211-203-2FW/VA228	55.563	100	55.6	25	25	29	110	350
YAR 212-2FW/VA201	60	110	65.1	26	52.7	36	50	250
YAR 212-2FW/VA228	60	110	65.1	26	52.7	36	100	350
YAR 212-207-2FW/VA201	61.913	110	65.1	26	52.7	36	50	250
YAR 212-207-2FW/VA228	61.913	110	65.1	26	52.7	36	100	350
YAR 215-215-2FW/VA228	74.612	130	73.3	29	66.3	49	80	350
YAR 215-215-2FW/VA201	74.612	130	73.3	29	66.3	49	40	250
YAR 204-012-2F/VA228	19.05	32	64.5	33.3	127	12.7	6.55	350
YAR 204-012-2F/VA201	19.05	32	64.5	33.3	127	12.7	6.55	250
YAR 204-2F/VA228	20	32	64.5	33.3	127	12.7	6.55	350
YAR 204-2F/VA201	20	32	64.5	33.3	127	12.7	6.55	250
YAR 205-2F/VA228	25	36	70	36.5	130	14	7.8	350
YAR 205-2F/VA201	25	36	70	36.5	130	14	7.8	250
YAR 205-100-2F/VA201	25.4	36	70	36.5	130	14	7.8	250
YAR 205-100-2F/VA228	25.4	36	70	36.5	130	14	7.8	350

YAR 206-2F/VA201	30	40	82	42.9	152	19.5	11.2	250
YAR 206-2F/VA228	30	40	82	42.9	152	19.5	11.2	350
YAR 206-103-2F/VA228	30.163	40	82	42.9	152	19.5	11.2	350
YAR 206-103-2F/VA201	30.163	40	82	42.9	152	19.5	11.2	250
YAR 207-104-2F/VA228	31.75	45	93	47.6	160	25.5	15.3	350
YAR 207-104-2F/VA201	31.75	45	93	47.6	160	25.5	15.3	250
YAR 207-106-2F/VA228	34.925	45	93	47.6	160	25.5	15.3	350
YAR 207-2F/VA201	35	45	93	47.6	160	25.5	15.3	250
YAR 207-2F/VA228	35	45	93	47.6	160	25.5	15.3	350
YAR 207-107-2F/VA228	36.513	45	93	47.6	160	25.5	15.3	350
YAR 208-108-2F/VA228	38.1	48	99	49.2	175	30.7	19	350
YAR 208-108-2F/VA201	38.1	48	99	49.2	175	30.7	19	250
YAR 208-2F/VA201	40	48	99	49.2	175	30.7	19	250
YAR 208-2F/VA228	40	48	99	49.2	175	30.7	19	350
YAR 209-111-2F/VA201	42.862	48	107	54	187	33.2	21.6	250
YAR 209-111-2F/VA228	42.862	48	107	54	187	33.2	21.6	350
YAR 209-112-2F/VA201	44.45	48	107	54	187	33.2	21.6	250
YAR 209-112-2F/VA228	44.45	48	107	54	187	33.2	21.6	350
YAR 209-2F/VA228	45	48	107	54	187	33.2	21.6	350
YAR 209-2F/VA201	45	48	107	54	187	33.2	21.6	250
YAR 210-115-2F/VA228	49.212	54	114	57.2	203	35.1	23.2	350
YAR 210-2F/VA228	50	54	114	57.2	203	35.1	23.2	350
YAR 210-2F/VA201	50	54	114	57.2	203	35.1	23.2	250
YAR 211-200-2F/VA228	50.8	60	126	63.5	219	43.6	29	350
YAR 211-200-2F/VA201	50.8	60	126	63.5	219	43.6	29	250
YAR 211-2F/VA201	55	60	126	63.5	219	43.6	29	250
YAR 211-2F/VA228	55	60	126	63.5	219	43.6	29	350
YAR 211-203-2F/VA228	55.563	60	126	63.5	219	43.6	29	350
YAR 212-2F/VA228	60	60	126	69.9	219	52.7	36	350
YAR 212-2F/VA201	60	60	126	69.9	219	52.7	36	250
YAR 212-207-2F/VA228	61.913	60	126	69.9	219	52.7	36	350
YAR 212-207-2F/VA201	61.913	60	126	69.9	219	52.7	36	250

Designations	Principal dimensions					Basic load ratings		Limiting speed	Limiting temperature
						dynam.	static		
Bearing	d	A1	J	L	T	C	C0		T max.
	mm					kN		r/min	°C
YAR 204-012-2FW/VA201	19.05	24.61	89.7	60.5	32.6	12.7	6.55	130	250
YAR 204-012-2FW/VA228	19.05	24.61	89.7	60.5	32.6	12.7	6.55	260	350
YAR 204-2FW/VA201	20	24.61	89.7	60.5	32.6	12.7	6.55	130	250

YAR 204-2FW/VA228	20	24.61	89.7	60.5	32.6	12.7	6.55	260	350
YAR 205-2FW/VA228	25	30	98.8	70	38.8	14	7.8	230	350
YAR 205-2FW/VA201	25	30	98.8	70	38.8	14	7.8	110	250
YAR 205-100-2FW/VA228	25.4	30	98.8	70	38.8	14	7.8	230	350
YAR 205-100-2FW/VA201	25.4	30	98.8	70	38.8	14	7.8	110	250
YAR 206-2FW/VA228	30	32.7	116.7	83	42.2	19.5	11.2	190	350
YAR 206-2FW/VA201	30	32.7	116.7	83	42.2	19.5	11.2	90	250
YAR 207-104-2FW/VA228	31.75	34.9	130.2	96	46.4	25.5	15.3	160	350
YAR 207-104-2FW/VA201	31.75	34.9	130.2	96	46.4	25.5	15.3	80	250
YAR 207-106-2FW/VA228	34.925	34.9	130.2	96	46.4	25.5	15.3	160	350
YAR 207-106-2FW/VA201	34.925	34.9	130.2	96	46.4	25.5	15.3	80	250
YAR 207-2FW/VA201	35	34.9	130.2	96	46.4	25.5	15.3	80	250
YAR 207-2FW/VA228	35	34.9	130.2	96	46.4	25.5	15.3	160	350
YAR 208-108-2FW/VA201	38.1	38.5	143.7	102	54.2	30.7	19	70	250
YAR 208-108-2FW/VA228	38.1	38.5	143.7	102	54.2	30.7	19	150	350
YAR 208-2FW/VA201	40	38.5	143.7	102	54.2	30.7	19	70	250
YAR 208-2FW/VA228	40	38.5	143.7	102	54.2	30.7	19	150	350
YAR 209-111-2FW/VA228	42.862	39	148.4	111	54.2	33.2	21.6	130	350
YAR 209-111-2FW/VA201	42.862	39	148.4	111	54.2	33.2	21.6	60	250
YAR 209-112-2FW/VA228	44.45	39	148.4	111	54.2	33.2	21.6	130	350
YAR 209-112-2FW/VA201	44.45	39	148.4	111	54.2	33.2	21.6	60	250
YAR 209-2FW/VA201	45	39	148.4	111	54.2	33.2	21.6	60	250
YAR 209-2FW/VA228	45	39	148.4	111	54.2	33.2	21.6	130	350
YAR 210-115-2FW/VA201	49.212	43	157.2	116	60.6	35.1	23.2	60	250
YAR 210-115-2FW/VA228	49.212	43	157.2	116	60.6	35.1	23.2	120	350
YAR 210-2FW/VA228	50	43	157.2	116	60.6	35.1	23.2	120	350
YAR 210-2FW/VA201	50	43	157.2	116	60.6	35.1	23.2	60	250
YAR 211-200-2FW/VA228	50.8	47.63	184.15	127	69	43.6	29	110	350
YAR 211-200-2FW/VA201	50.8	47.63	184.15	127	69	43.6	29	50	250
YAR 211-2FW/VA201	55	47.63	184.15	127	62.9	43.6	29	50	250
YAR 211-2FW/VA228	55	47.63	184.15	127	62.9	43.6	29	110	350