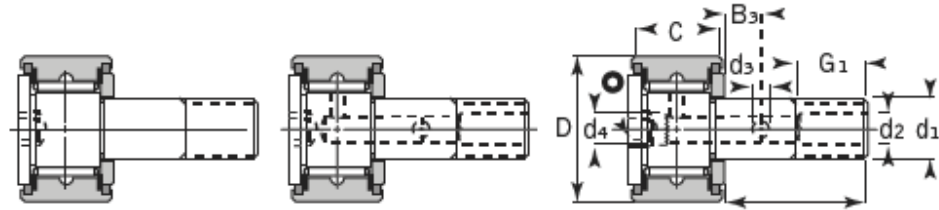


Needle Bearings

CAM Followers Bearing

Hexagonal wrench mounting



CRSB 8 to 10-1

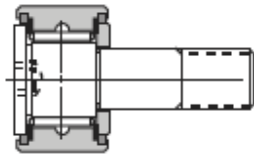
CRSB 24 to 44

CRSB 12 to 22
CRSB 48 to 64

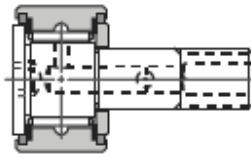
CRSB Dim.

Bearing Designation	Outside Diameter	Dimensions (inch) d1	D	C	B2	B3	G1	d4	d2	d3	G UNF
CRSB8	1/2	0.19	0.5	0.344	0.5	None	0.25	None	None	None	10 - 32
CRSB8-1				0.375	0.625						
CRSB10	5/8	0.25	0.625	0.406	0.625	None	0.312	None	None	None	1/4 - 28
CRSB10-1				0.438	0.75						
CRSB12	3/4	0.375	0.75	0.5	0.875	0.25	0.375	0.188	0.188	0.094	3/8 - 24
CRSB14	7/8	0.375	0.875	0.5	0.875	0.25	0.375	0.188	0.188	0.094	3/8 - 24
CRSB16	1	0.4375	1	0.625	1	0.25	0.5	0.25	0.188	0.125	7/16 - 20
CRSB18	1-1/8	0.4375	1.125	0.625	1	0.25	0.5	0.25	0.188	0.125	7/16 - 20
CRSB20	1-1/4	0.5	1.25	0.75	1.25	0.312	0.625	0.25	0.188	0.125	1/2 - 20
CRSB22	1-3/8	0.5	1.375	0.75	1.25	0.312	0.625	0.25	0.188	0.125	1/2 - 20
CRSB24	1-1/2	0.625	1.5	0.875	1.5	0.375	0.75	None	0.188	0.094	5/8 - 18
CRSB26	1-5/8	0.625	1.625	0.875	1.5	0.375	0.75	None	0.188	0.094	5/8 - 18
CRSB28	1-3/4	0.75	1.75	1	1.75	0.438	0.875	None	0.188	0.094	3/4 - 16
CRSB30	1-7/8	0.75	1.875	1	1.75	0.438	0.875	None	0.188	0.094	3/4 - 16
CRSB32	2	0.875	2	1.25	2	0.5	1	None	0.188	0.125	7/8 - 14
CRSB36	2-1/4	0.875	2.25	1.25	2	0.5	1	None	0.188	0.125	7/8 - 14
CRSB40	2-1/2	1	2.5	1.5	2.5	0.562	1.125	None	0.188	0.125	1 - 14
CRSB44	2-3/4	1	2.75	1.5	2.5	0.562	1.125	None	0.188	0.125	1 - 14
CRSB48	3	1.25	3	1.75	2.5	0.625	1.25	0.25	0.25	0.125	1-1/4 - 12
CRSB52	3-1/4	1.25	3.25	1.75	2.5	0.625	1.25	0.25	0.25	0.125	1-1/4 - 12
CRSB56	3-1/2	1.375	3.5	2	2.75	0.688	1.375	0.25	0.25	0.125	1-3/8 - 12
CRSB64	4	1.5	4	2.25	3.5	0.75	1.5	0.25	0.25	0.125	1-1/2 - 12

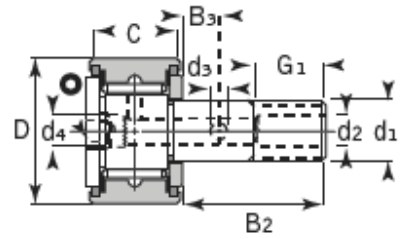
Hexagonal wrench mounting



CRSB 8 to 10-1



CRSB 24 to 44

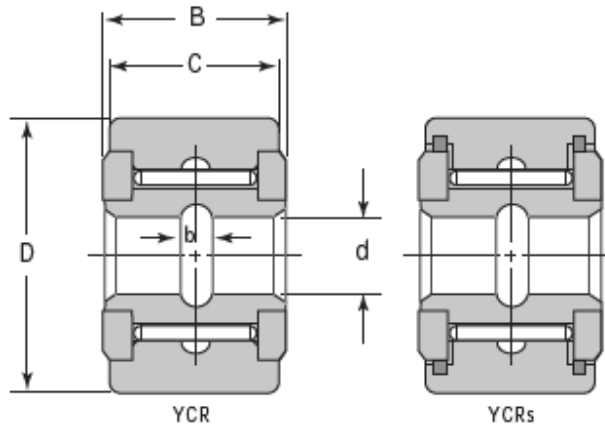


CRSB 12 to 22
CRSB 48 to 64

CRSB Mounting

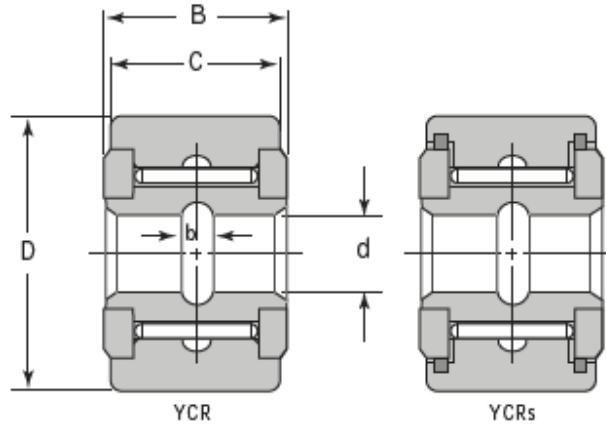
Bearing Designation	Outside Diameter	Load Rating		Mounting Dimensions			Mounting Overhang Space		* Clamping Torque	Mass.
		Dynamic C lbf	Static C0	Limiting Speed rpm	Bore Dia. for Stud db	ra max.	Ka min.	da min.	max. lbf / inch	Approx. Lbs
CRSB8	1/2	999	1 110	7 000	0.19	0.01	0.41	0.297	8	0.02
CRSB8-1		1 120	1 280	7 000	0.19	0.01	0.44	0.297	8	0.023
CRSB10	5/8	1 360	1 770	5 500	0.25	0.015	0.5	0.359	20	0.41
CRSB10-1		1 480	1 970	5 500	0.25	0.015	0.5	0.359	20	0.045
CRSB12	3/4	2 330	3 410	3 900	0.375	0.015	0.56	0.5	55	0.076
CRSB14	7/8	2 330	3 410	3 900	0.375	0.015	0.56	0.5	5	0.097
CRSB16	1	2 980	5 010	3 000	0.4375	0.03	0.69	0.641	150	0.161
CRSB18	1-1/8	2 980	5 010	3 000	0.4375	0.03	0.69	0.641	150	0.197
CRSB20	1-1/4	4 840	7 460	2 600	0.5	0.03	0.81	0.766	205	0.301
CRSB22	1-3/8	4 840	7 460	2 600	0.5	0.03	0.81	0.766	205	0.354
CRSB24	1-1/2	6 380	9 160	2 300	0.625	0.03	0.94	0.891	390	0.528
CRSB26	1-5/8	6 380	9 160	2 300	0.625	0.03	0.94	0.891	390	0.605
CRSB28	1-3/4	8 040	12 800	1 900	0.75	0.04	1.06	1.047	750	0.848
CRSB30	1-7/8	8 040	12 800	1 900	0.75	0.04	1.06	1.047	750	0.947
CRSB32	2	9 770	17 100	1 700	0.875	0.05	1.33	1.203	900	1.37
CRSB36	2-1/4	9 780	17 100	1 700	0.875	0.05	1.33	1.203	900	1.67
CRSB40	2-1/2	13 200	26 600	1 400	1	0.09	1.58	1.313	1350	2.5
CRSB44	2-3/4	13 200	26 600	1 400	1	0.09	1.58	1.313	1350	2.93
CRSB48	3	16 800	40 200	990	1.25	0.09	1.83	1.75	2050	4.2
CRSB52	3-1/4	16 800	40 200	990	1.25	0.09	1.83	1.75	2050	4.81
CRSB56	3-1/2	24 900	51 000	950	1.375	0.09	2.08	1.922	2500	6.42
CRSB64	4	31 100	72 200	780	1.5	0.09	2.33	2.281	3000	9.46

Track Roller Bearing



YCRS Dim.

Bearing Designation		Outside Diameter	Dimensions			B	C	b
			-0.001	max.	min.			
Without Seals	With Seals		D		d			
YCR12	YCRS12	3/4	0.75	0.2502	0.2496	0.5625	0.5	0.125
YCR14	YCRS14	7/8	0.875	0.2502	0.2496	0.5625	0.5	0.125
YCR16	YCRS16	1	1	0.3127	0.3121	0.6875	0.625	0.125
YCR18	YCRS18	1-1/8	1.125	0.3127	0.3121	0.6875	0.625	0.125
YCR20	YCRS20	1-1/4	1.25	0.3752	0.3746	0.8125	0.75	0.188
YCR22	YCRS22	1-3/8	1.375	0.3752	0.3746	0.8125	0.75	0.188
YCR24	YCRS24	1-1/2	1.5	0.4377	0.4371	0.9375	0.875	0.125
YCR26	YCRS26	1-5/8	1.625	0.4377	0.4371	0.9375	0.875	0.125
YCR28	YCRS28	1-3/4	1.75	0.5002	0.4996	1.0625	1	0.125
YCR30	YCRS30	1-7/8	1.875	0.5002	0.4996	1.0625	1	0.125
YCR32	YCRS32	2	2	0.6252	0.6246	1.3125	1.25	0.125
YCR36	YCRS36	2-1/4	2.25	0.6252	0.6246	1.3125	1.25	0.125
YCR40	YCRS40	2-1/2	2.5	0.7502	0.7496	1.5625	1.5	0.145
YCR44	YCRS44	2-3/4	2.75	0.7502	0.7496	1.5625	1.5	0.145
YCR48	YCRS48	3	3	1.0001	0.9995	1.8125	1.75	0.145
YCR52	YCRS52	3-1/4	3.25	1.0001	0.9995	1.8125	1.75	0.145
YCR56	YCRS56	3-1/2	3.5	1.1251	1.1245	2.0625	2	0.145
YCR64	YCRS64	4	4	1.2501	1.2495	2.3125	2.25	0.145
-	YCRS80	5	5	1.7501	1.7495	2.875	2.75	0.375
-	YCRS96	6	6	2.2501	2.2495	3.375	3.25	0.375



YCRS Mounting

Bearing Designation		Load Rating		Limit Speed	Mounting Dimensions Shaft				Clamping Diameter	Mass. Approx. lbs
					Transition Fit Loose		Transition Fit Tight			
Without seals	With seals	Dynamic C	Static CO	Grease	Max.	Min.	Max.	Min.	min. da	
					f7		h6			
YCR12	YCRS12	2 330	3 410	3 900	0.2497	0.2493	0.2505	0.2501	0.5	0.06
YCR14	YCRS14	2 330	3 410	3 900	0.2497	0.2493	0.2505	0.2501	0.5	0.08
YCR16	YCRS16	2 980	5 010	3 000	0.3122	0.3118	0.313	0.3126	0.641	0.15
YCR18	YCRS18	2 980	5 010	3 000	0.3122	0.3118	0.313	0.3126	0.641	0.17
YCR20	YCRS20	4 840	7 460	2 600	0.3747	0.3743	0.3755	0.3751	0.766	0.3
YCR22	YCRS22	4 840	7 460	2 600	0.3747	0.3743	0.3755	0.3751	0.766	0.5
YCR24	YCRS24	6 380	9 160	2 300	0.4372	0.4368	0.438	0.4376	0.891	0.41
YCR26	YCRS26	6 380	9 160	2 300	0.4372	0.4368	0.438	0.4376	0.891	0.5
YCR28	YCRS28	8 040	12 800	1 900	0.4997	0.4993	0.5007	0.5003	1.047	0.64
YCR30	YCRS30	8 040	12 800	1 900	0.4997	0.4993	0.5007	0.5003	1.047	0.8
YCR32	YCRS32	9 770	17 100	1 700	0.6247	0.6243	0.6257	0.6253	1.203	1.05
YCR36	YCRS36	9 770	17 100	1 700	0.6247	0.6243	0.6257	0.6253	1.203	1.32
YCR40	YCRS40	13 200	26 600	1 400	0.7497	0.7493	0.7507	0.7503	1.313	1.8
YCR44	YCRS44	13 200	26 600	1 400	0.7497	0.7493	0.7507	0.7503	1.313	2.25
YCR48	YCRS48	16 800	40 200	990	0.9996	0.9991	1.0008	1.003	1.75	3.1
YCR52	YCRS52	16 800	40 200	990	0.9996	0.9991	1.0008	1.003	1.75	3.62
YCR56	YCRS56	24 900	51 000	950	1.1246	1.1241	1.1258	1.1253	1.922	4.95
YCR64	YCRS64	31 100	72 200	780	1.2496	1.2491	1.2508	1.2503	2.281	7.05
-	YCRS80	33 800	-	700	1.7496	1.7491	1.7508	1.7503	2.875	13.2
-	YCRS96	48 300	-	580	2.2496	2.2491	2.2508	2.2503	3.375	23.2